

LT20JE

Telescopic Boom Lifts-Electric



Safe and Reliable

- High quality tilt and weight sensor, for safe and reliable operation;
- Modern electronic control system to provide security and safety;
- The protection level of components of the whole machine is above IP65

Intelligent and efficient

- The turntable rotation 360° continuously with compact tail, suitable for narrow space operation
- Combine calibration with intelligent and efficient system;
- Oscillating axles as standard;
- Four wheel strong AC electric drive, climbing capacity up to 45%, strong trafficability;
- High-power charger, large-capacity power battery, fast charging, ultra-long endurance.

Energy saving and comfort

- Smooth descent on all booms;
- Automatic deceleration at the action limit position, stable action, proportionate control;
- ECU control ensures optimize battery usage.

Green and environmental protection

- Pure electric power, low use and maintenance cost, high return on investment;
- Green and environmental protection, no emission, low noise, meet indoor and outdoor working conditions.

Standard configuration

- Platform work lights
- Working strobe lamp
- Load Sensing System
- Electro hydraulic proportional control
- Automatic brake system
- Tilt protection system
- Telematics-BOX
- Electric emergency descent system
- Manual emergency descent system
- Emergency stop system
- Anti entrapment device
- Remote fault diagnosis system
- Overload protection
- Efficient alarm warnings

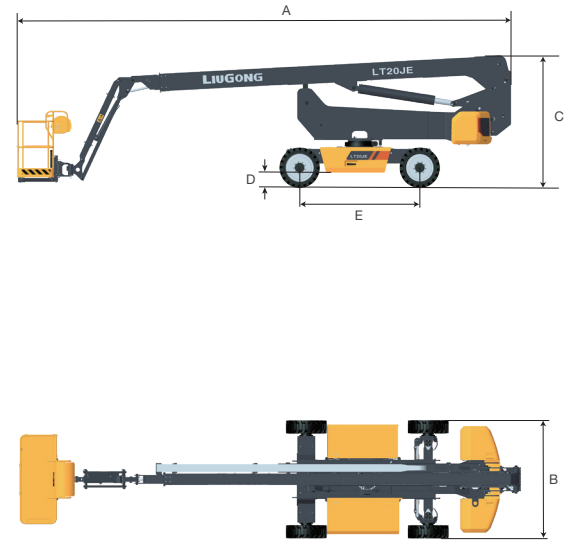


LT20JE >>>



Main Parameters

Item	Unit	LT20JE
Size		
Max.Working Height	m	21.5
Max.Platform Height	m	19.5
Max.Operating Range	m	14
A-Overall Length (Stowed)	m	10.2
B-Overall Width (Stowed)	m	2.42
C-Overall Height (Stowed)	m	2.75
Overall Length (Transport)	m	10.2
Overall Width (Transport)	m	2.29
Overall Height (Transport)	m	2.67
Platform Size (L×W×H)	m	1.83 × 0.76 × 1.1
Turntable Tailswing (Stowed/Raised)	m	1.95/1.55
D-Ground clearance	m	0.31
E-Wheelbase	m	2.5
Turning Radius (Inside/Outside)	m	2.4 / 5.5
Tyres	/	33×12-20 (Solid off-road tyre)
Performance		
Platform Load (Unrestricted)	kg	320
Max. Platform Occupants	/	2
Gradeability	/	45%
Travel Speed (Stowed)	km/h	5
Travel Speed (Raised)	km/h	1
Max.Working Slope	/	X-5° / Y-5°
Turret Rotation	/	360° Continuous
Platform Rotation	/	±90°
Jib Movement	/	-65° ~ +70°
Drive Steering Type	/	4 WD × 2 WS
Weight		
Overall Weight	kg	9,500
Power		
Battery (Lithium)	/	48 V / 460 Ah
Charger	/	48 V / 60 A
Driving Motor	/	32 VAC / 3.3 kW
Lifting Motor	/	31 VAC / 10 kW
Hydraulic Tank	L	93



Unit: m

LT20JE Performance Curve

